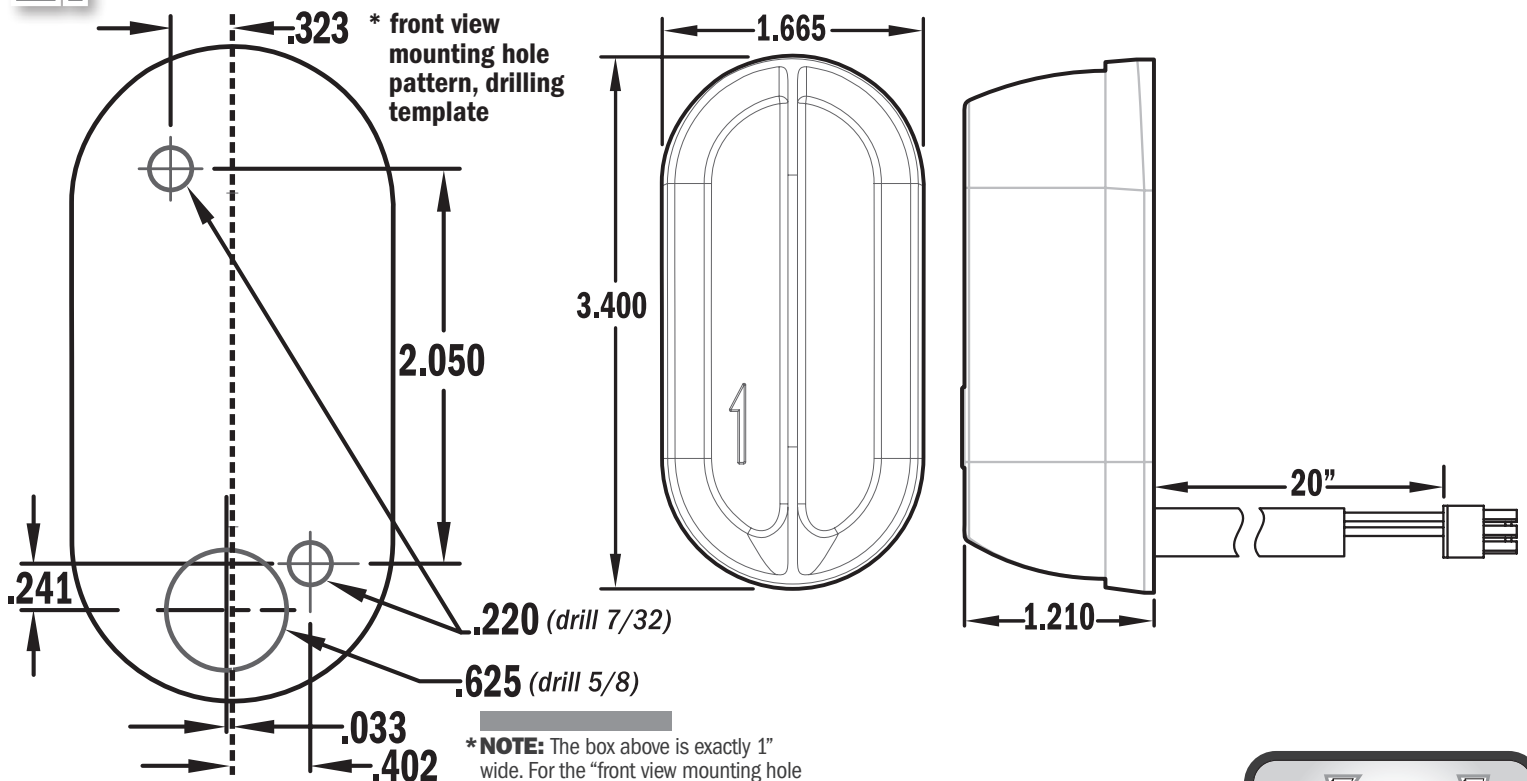


# Dimensions/Mounting CompX eLock® Pods

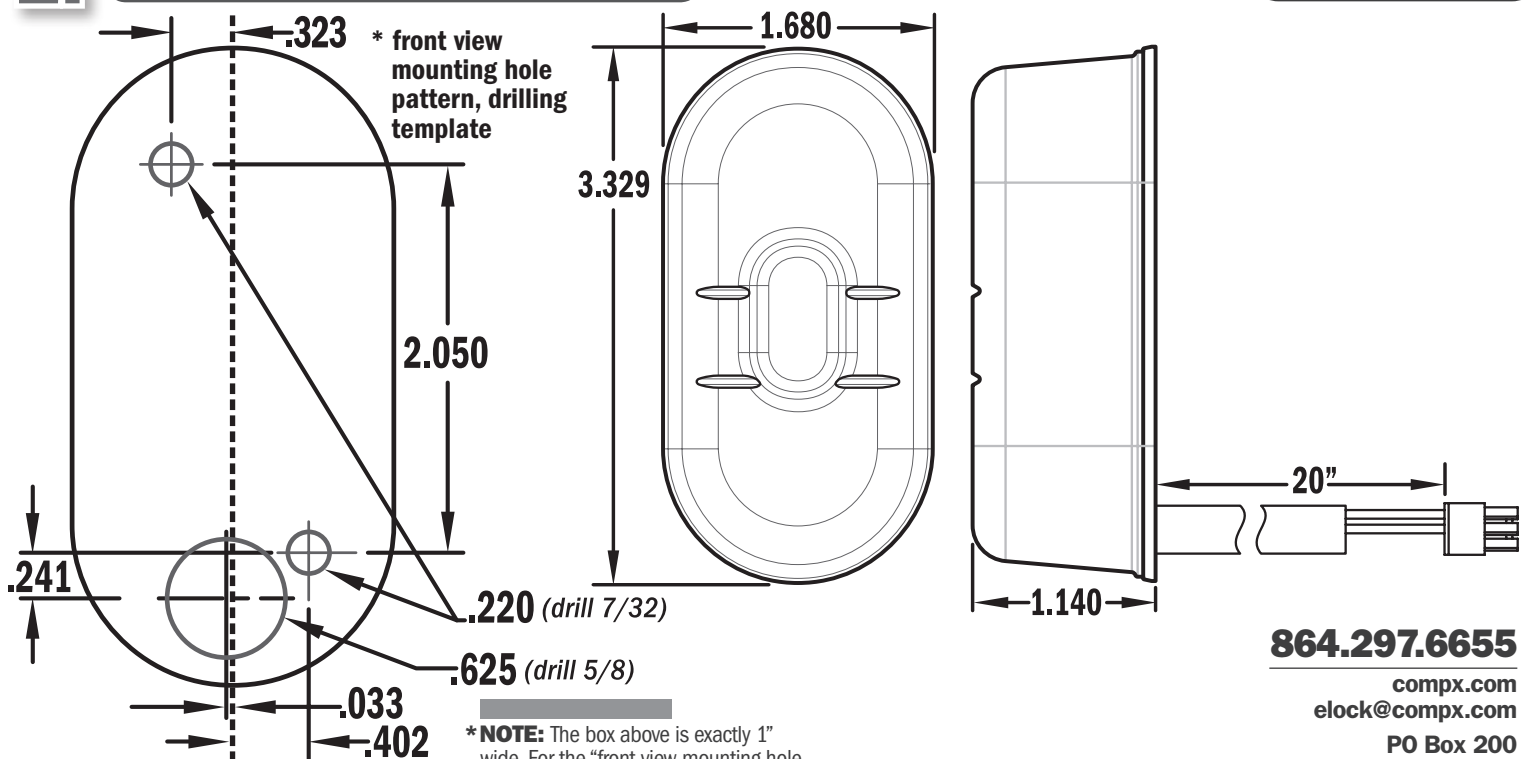
CompX eLock®

## Option 1: Mounting a magstripe card reader pod



**\* NOTE:** The box above is exactly 1" wide. For the "front view mounting hole pattern, drilling template" ONLY, use the box to scale up or down your measurements.

## Option 2: Mounting a proximity card reader pod



**\* NOTE:** The box above is exactly 1" wide. For the "front view mounting hole pattern, drilling template" ONLY, use the box to scale up or down your measurements.

**eLock**  
TECHNICAL HOTLINE  
**847-752-2525**  
M-F: 8 a.m. - 5 p.m. Central

**864.297.6655**

compX.com  
elock@compX.com

PO Box 200  
Mauldin, SC 29662