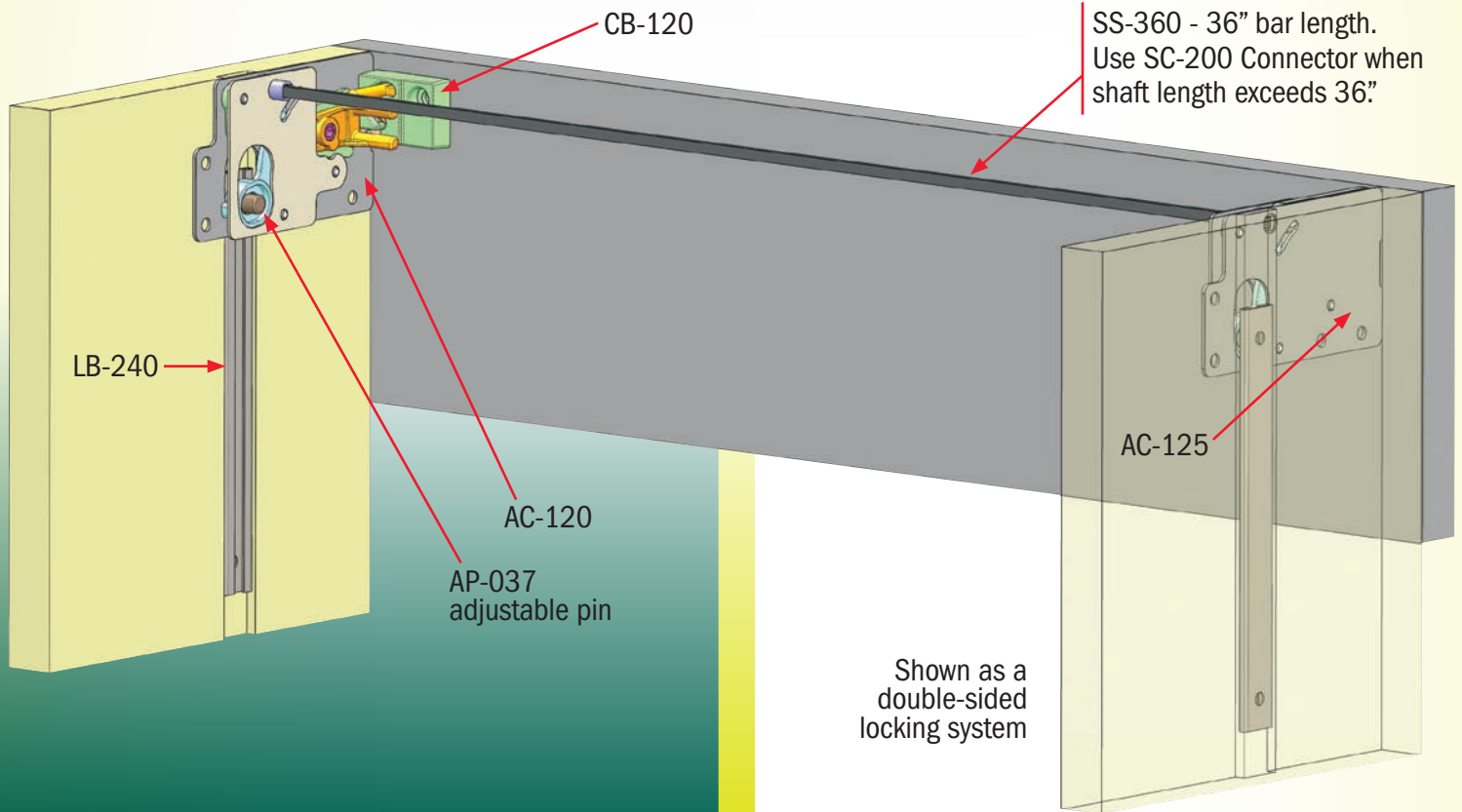


# SYSTEM 120 GANG LOCK

*A new solution for locking pedestals and lateral files*



**{ CompX Timberline offers a fresh approach to gang locking }**

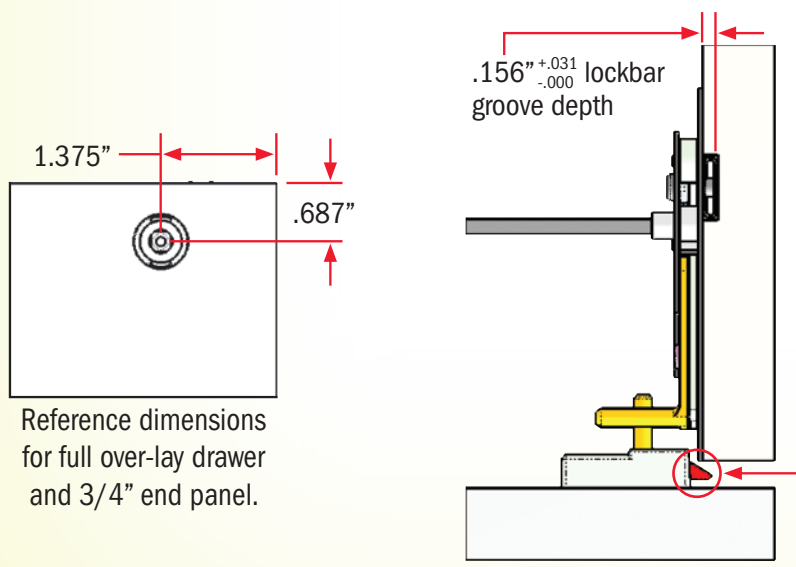
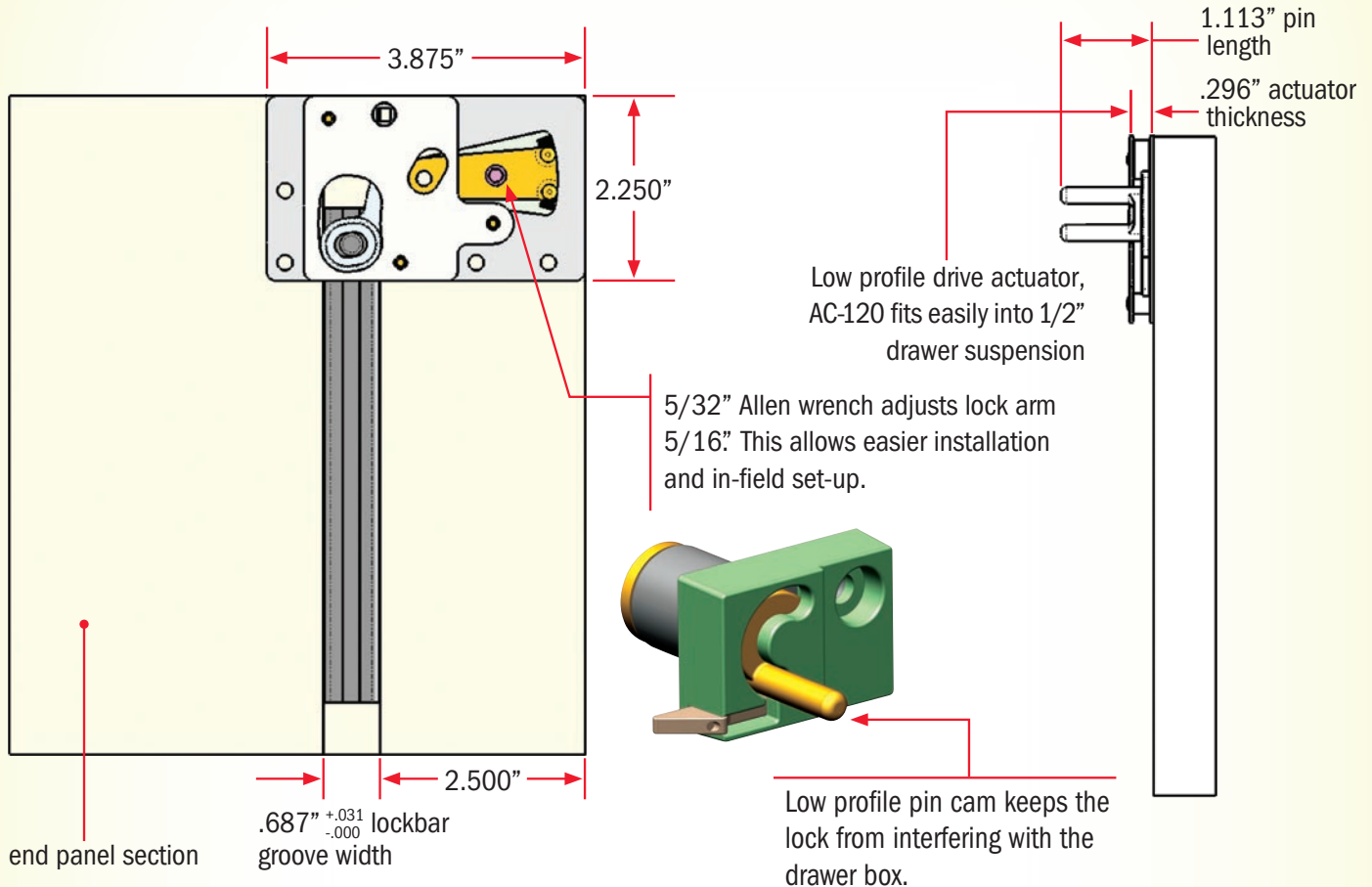
For further information contact:  
**CompX Timberline 800.LOCKBAR**

- Provides engineered lockbar location for reliable gang locking
- "Assure-Sync" feature keeps the lock, actuator position aligned. This prevents users from "crashing" the system.
- Provides single or double side locking with one system
- Modular components drop easily into place for original equipment manufacturing



# SYSTEM 120 GANG LOCK

*A new solution for locking pedestals and lateral files*



## How to order System 120

Three drawer system: single sided locking

- |            |             |
|------------|-------------|
| (1) LB-240 | (4) AP-037  |
| (1) CB-120 | (3) DC-500  |
| (1) AC-120 | (1) LP-XXX* |

Two drawer lateral file system: double sided locking

- |            |              |
|------------|--------------|
| (2) LB-240 | (6) AP-037   |
| (1) CB-120 | (4) DC-500   |
| (1) AC-120 | (1) SS-360** |
| (1) AC-125 | (1) LP-XXX*  |

- \* Customer to provide lock plug finish/keying.
- \*\* Can be trimmed to size by end user or ordered cut to size

"Assure-Sync" feature keeps the lock, actuator position aligned. This prevents users from "crashing" the system.

If lateral file is freestanding, consider adding the Anti-tip Interlock System 400.