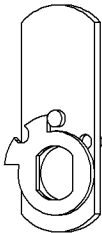
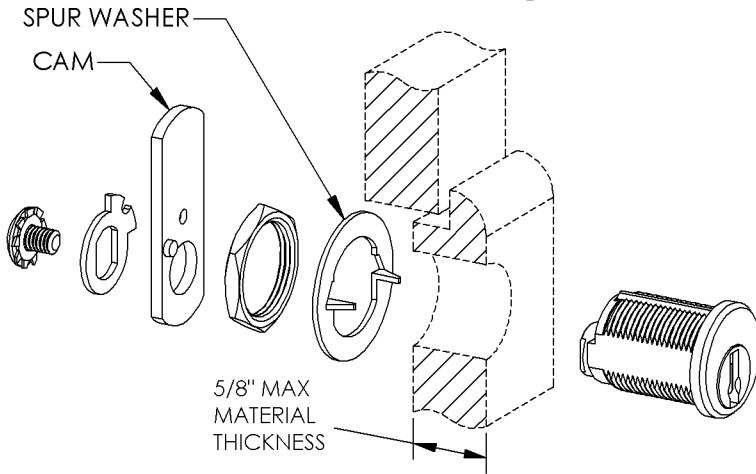


## C8111 CAM LOCK

- 4 PIN TUMBLER
- 15/16" CYLINDER LENGTH
- FOR LIPPED APPLICATIONS



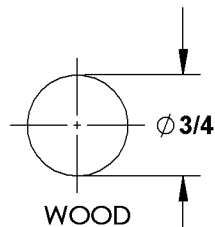
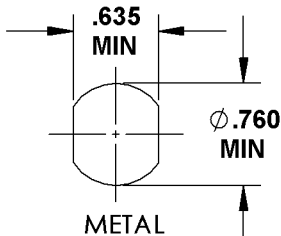
ASSEMBLED WITH  
CAM FOR L.H. DOOR  
OR CW DRAWER USE

NOTE: CAMS ARE NOT  
REVERSIBLE



EXTRA CAM FOR  
R.H. DOOR OR  
CCW DRAWER  
USE

### CYLINDER MOUNTING HOLES



NOTE: DO NOT USE SPUR WASHER WITH METAL DOOR OR DRAWER